

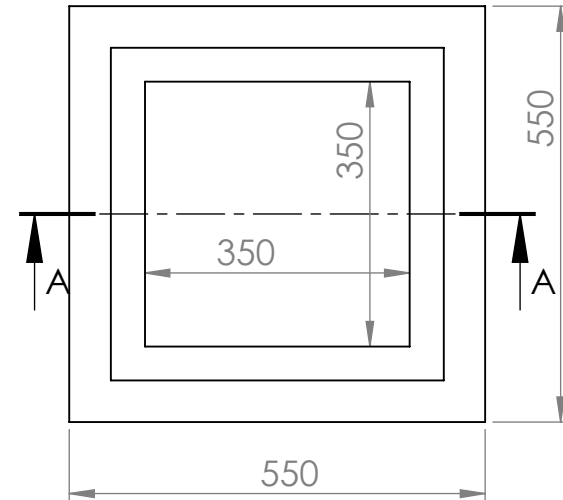
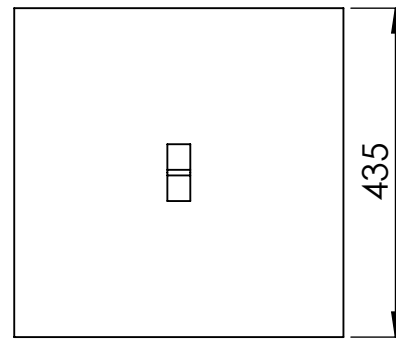
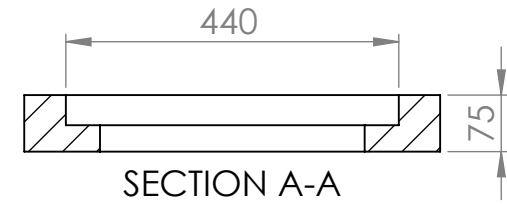
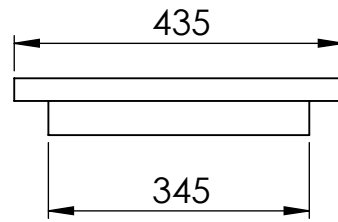
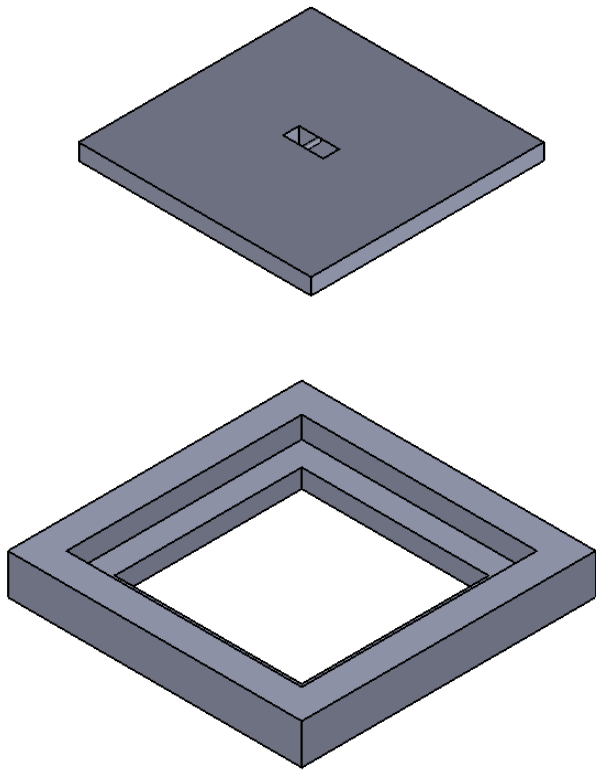


**Greaney Concrete Products**  
Advanced equipment & superior products since 1976

# 18"x18" Manhole Cover

Approx Weight:  
51kg

Drawn By:  
TGL



Cover

Base

The information contained in this drawing was up to date at the time of going to print. Profile, sizes and weights are given as an indication only. Greaney Concrete Products Ltd reserves the right to modify these at any time without notice.