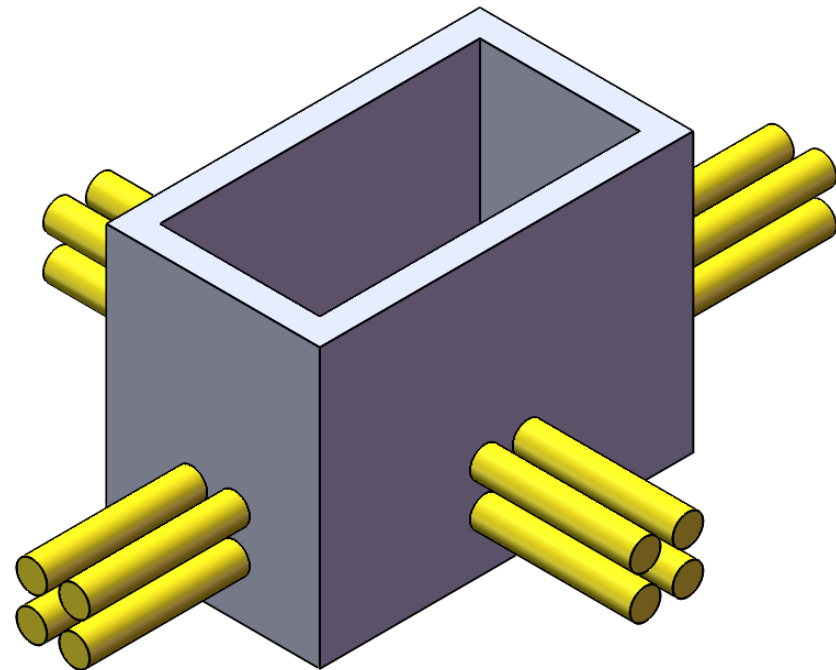
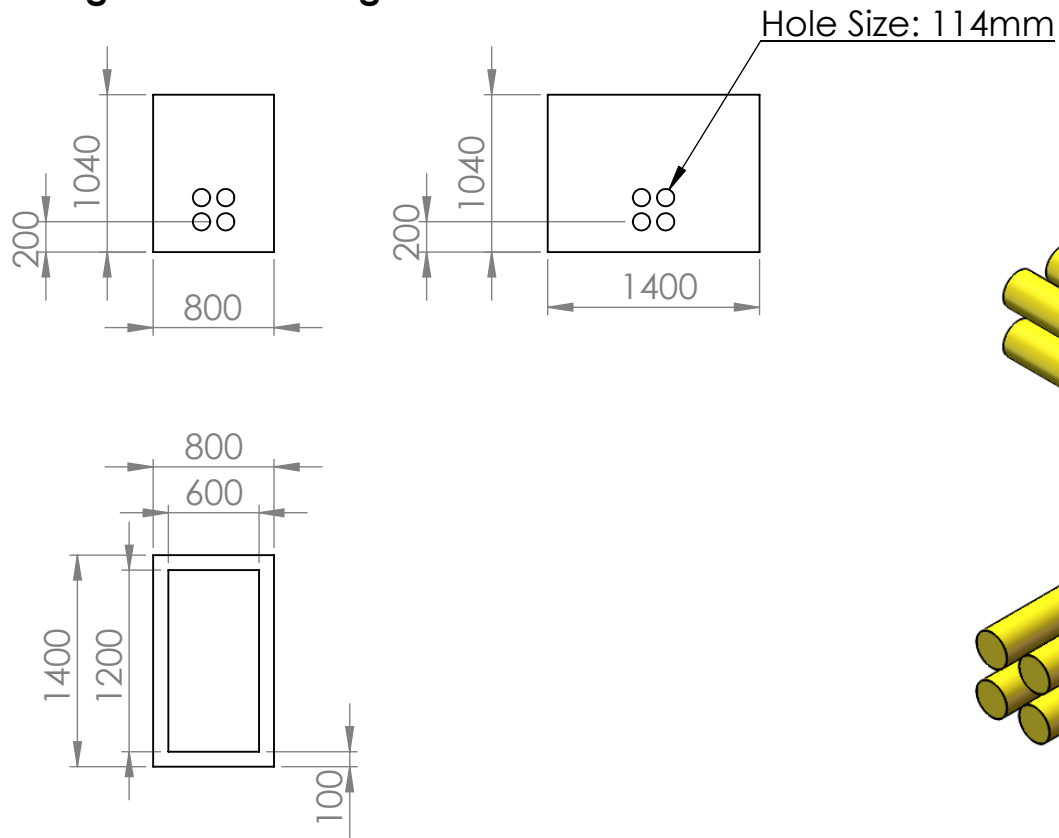




Junction Box 25 (1400 x 800)

- Internal Height of Box: 900
- Including Flush Base Height: 1040



The information contained in this drawing was up to date at the time of going to print. Profile, sizes and weights are given as an indication only. Greaney Concrete Products Ltd reserves the right to modify these at any time without notice.