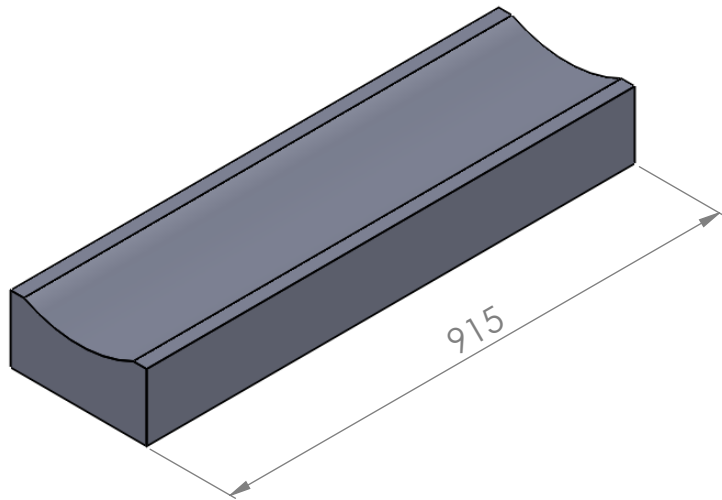
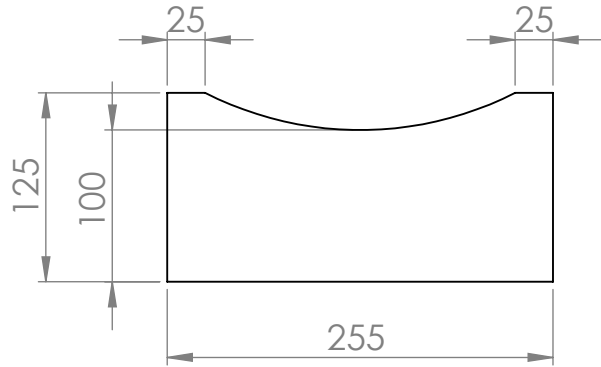


Water Channel A -Deep Dip



Water Channel B - Shallow Dip

