



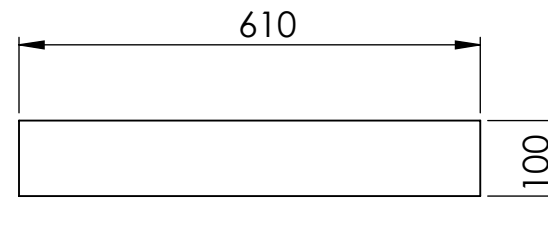
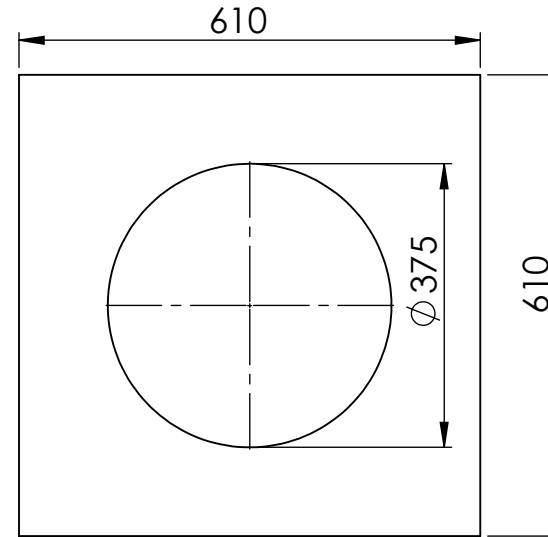
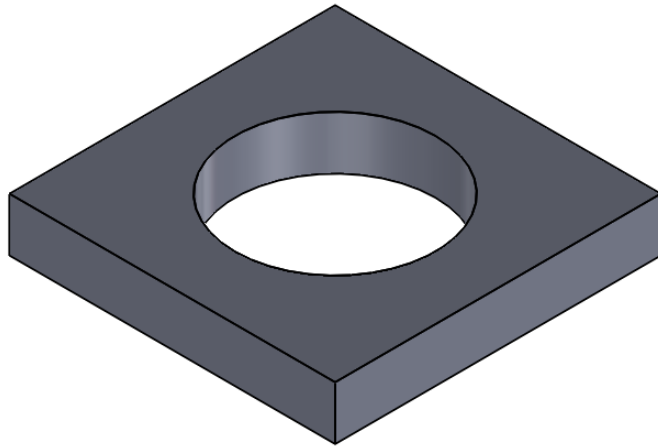
Greaney Concrete Products
Advanced equipment & superior products since 1976

Gully Riser A

To suit untrapped and 375mm trapped gullies

Approx Weight:
63kg

Drawn By:
TGL



The information contained in this drawing was up to date at the time of going to print. Profile, sizes and weights are given as an indication only. Greaney Concrete Products Ltd reserves the right to modify these at any time without notice.