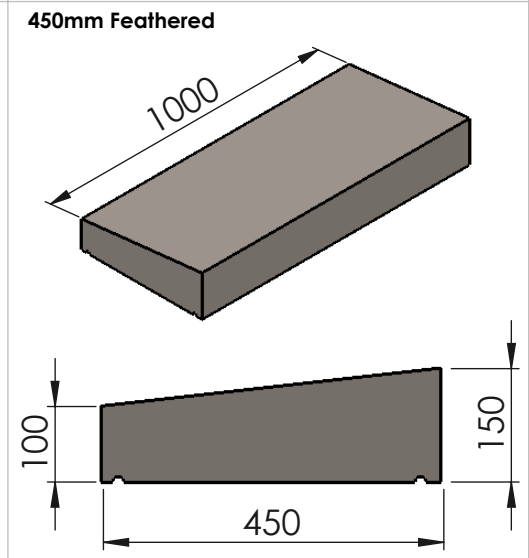
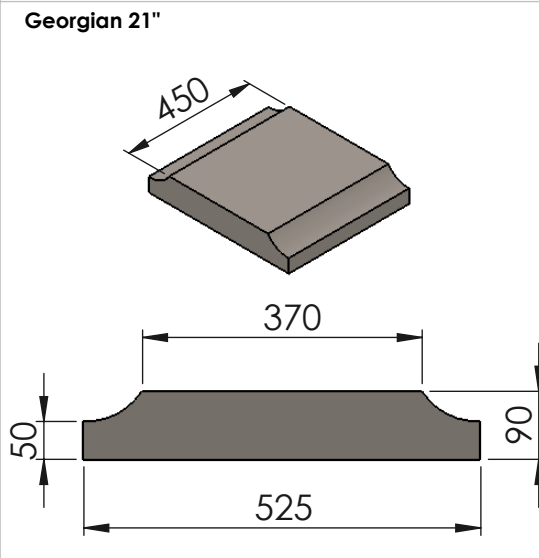
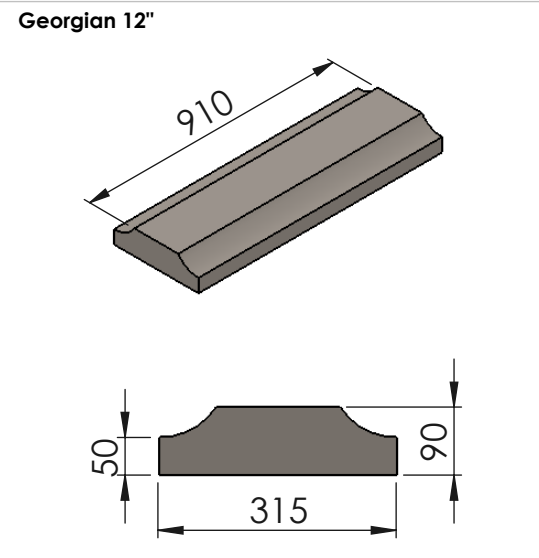
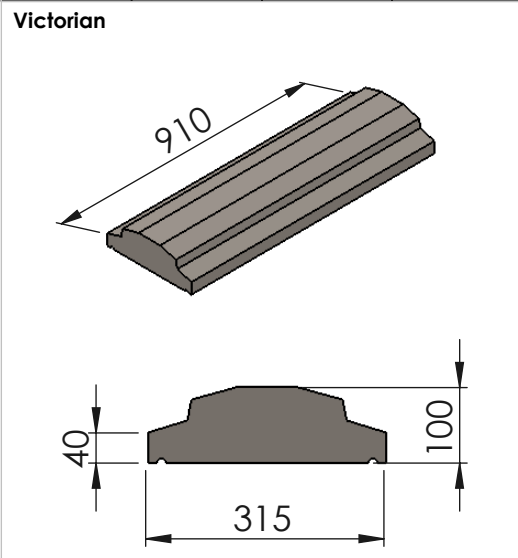
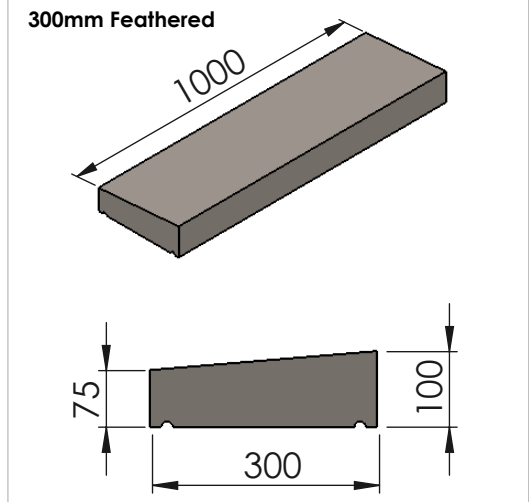
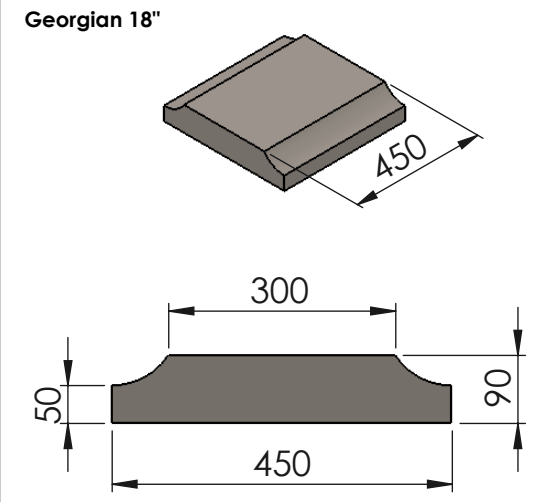
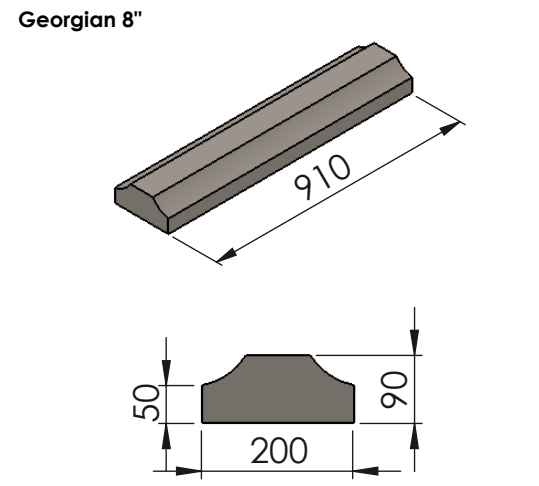


x	y	z	weight
175	60	35	18kg
225	70	45	28kg
300	75	45	39kg
375	75	50	51kg



The information contained in this drawing was up to date at the time of going to print. Profile, sizes and weights are given as an indication only. Greaney Concrete Products Ltd reserves the right to modify these at any time without notice.