

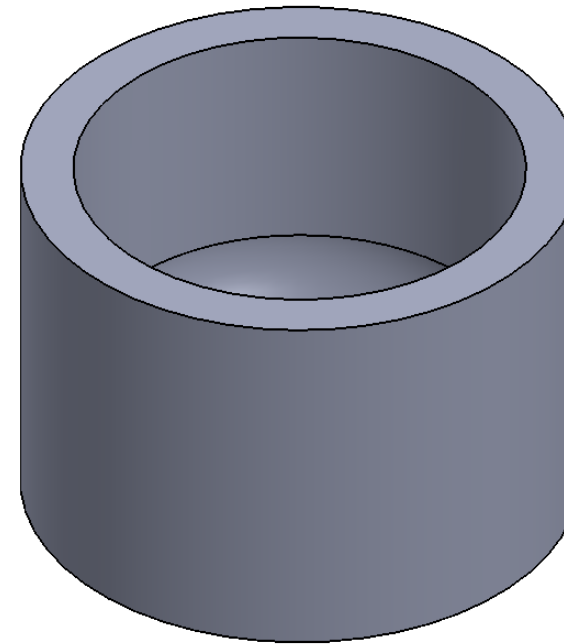
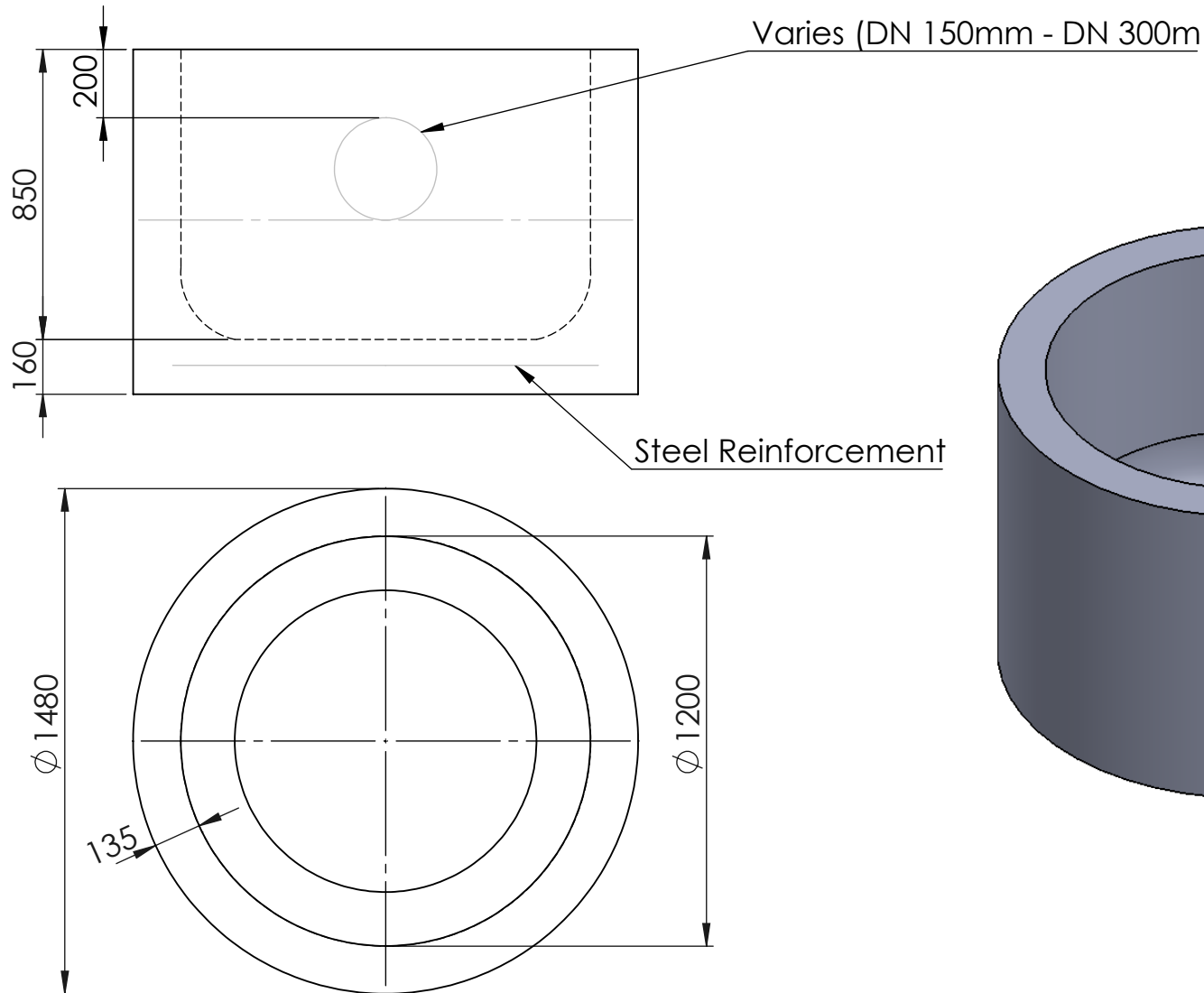


Catchpit

Approx Weight:
1800kg

Drawn By:
TGL

Catchpit sections are
manufactured and tested in
accordance with I.S.EN
1917:2004.



The information contained in this drawing was up to date at the time of going to print. Profile, sizes and weights are given as an indication only.
Greaney Concrete Products Ltd reserves the right to modify these at any time without notice.