

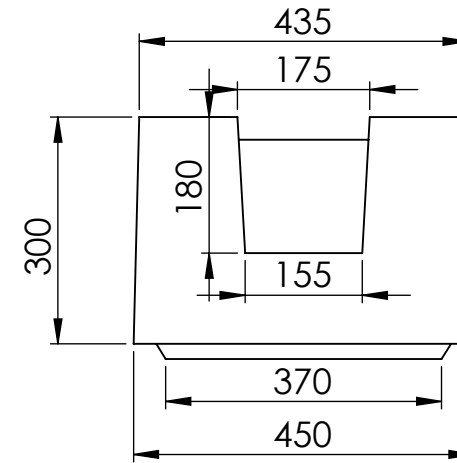
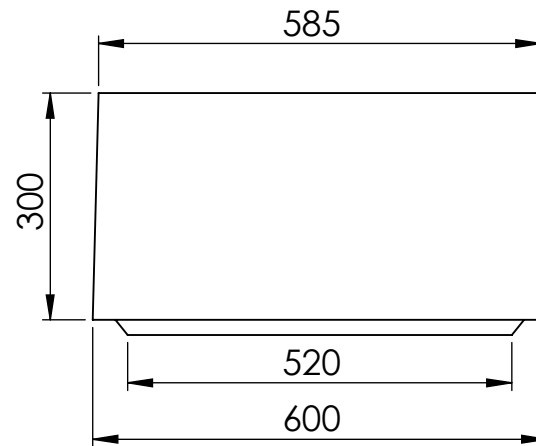
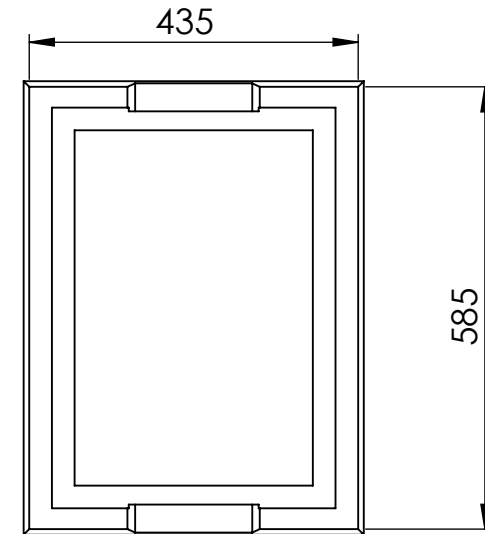
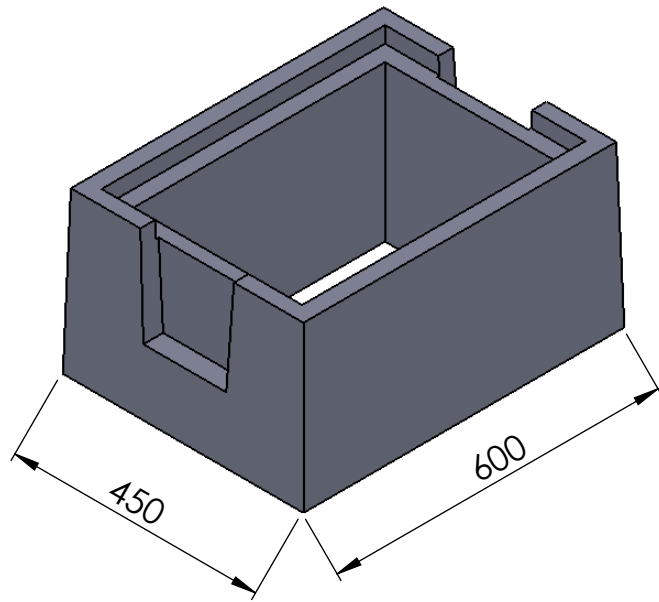


Greaney Concrete Products
Advanced equipment & superior products since 1976

Hydrant Chamber

Approx Weight:
76kg

Drawn By:
TGL



The information contained in this drawing was up to date at the time of going to print. Profile, sizes and weights are given as an indication only. Greaney Concrete Products Ltd reserves the right to modify these at any time without notice.