



Greaney Concrete Products
Advanced equipment & superior products since 1976

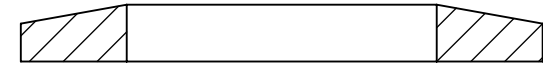
Chimney Caps

Approx Weight:

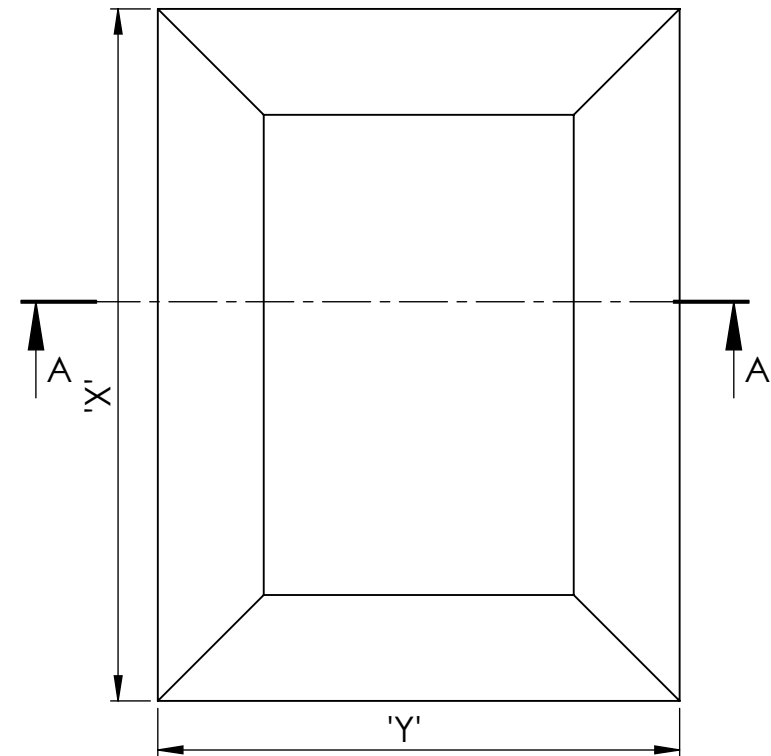
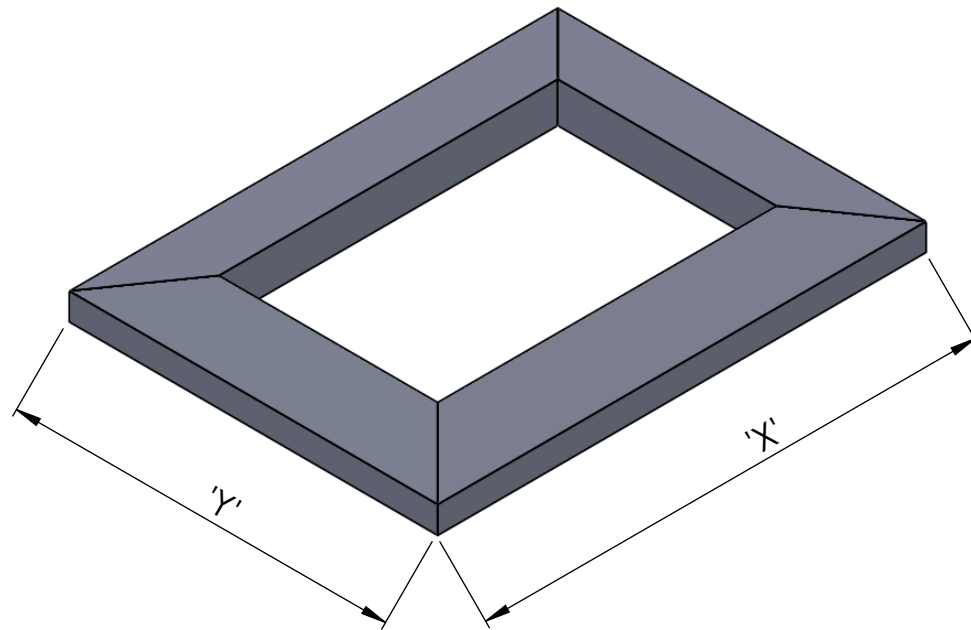
Drawn By:
TGL

Sizes

'X'	'Y'
28"	28"
37"	28"
42"	28"
50"	28"
33"	30"
50"	32"
48"	36"



SECTION A-A
SCALE 1 : 10



The information contained in this drawing was up to date at the time of going to print. Profile, sizes and weights are given as an indication only. Greaney Concrete Products Ltd reserves the right to modify these at any time without notice.