



Greaney Concrete Products
Advanced equipment & superior products since 1976

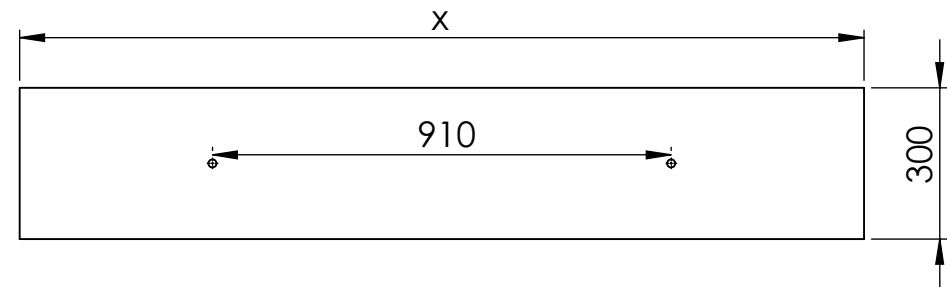
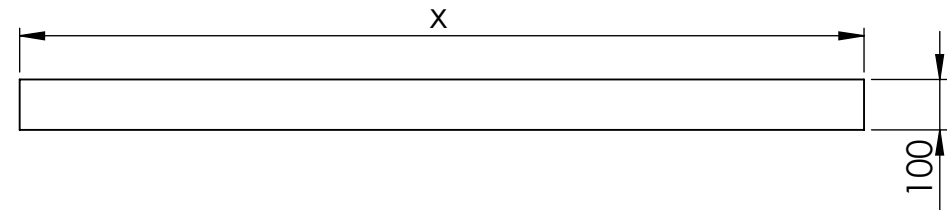
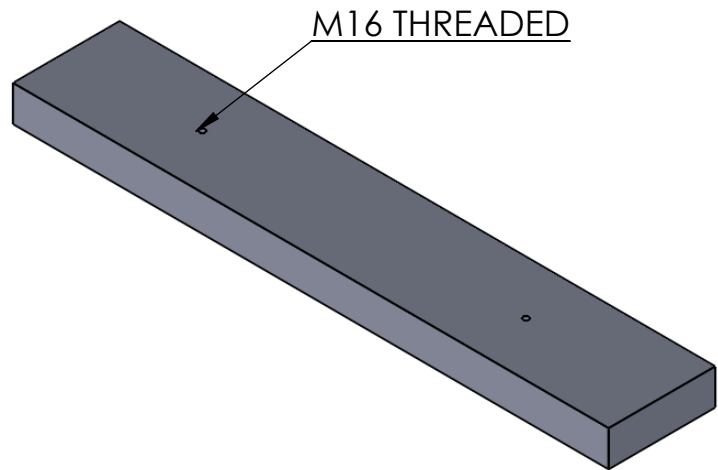
Septic Tank Cover

Approx Weight:
As Shown

Drawn By:
TGL

Septic Tank Cover

Type	'x' (mm)	Approx. Weight (kg)
5'	1525	109
5'6"	1675	120
6'	1800	129



The information contained in this drawing was up to date at the time of going to print. Profile, sizes and weights are given as an indication only. Greaney Concrete Products Ltd reserves the right to modify these at any time without notice.