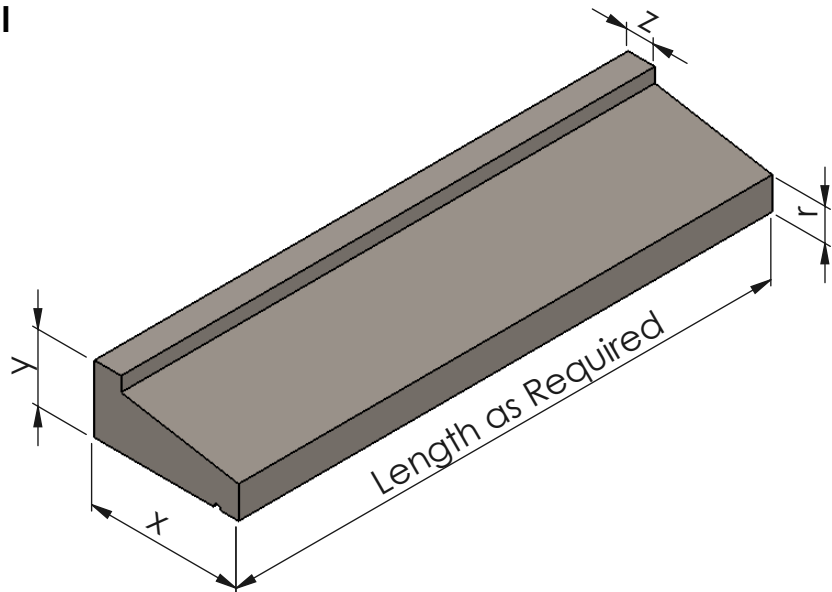


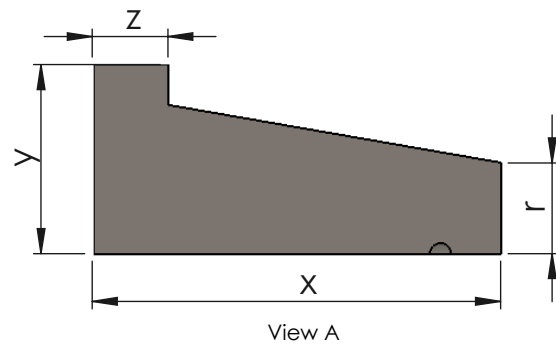
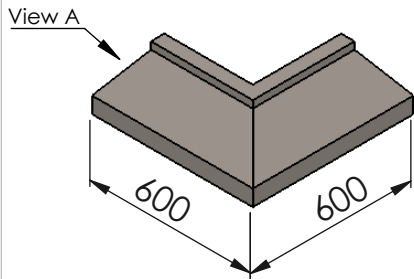
Sill

" all measurements in mm"



Type	x	y	z	r
1	200	75	15	45
2	225	140	25	100
3	250	100	50	50
4	270	125	50	60
5	250	140	50	100
6	275	135	55	75
7(A)	325	100	50	50
7(B)	325	115	100	50
8(A)	325	140	50	100
8(B)	325	140	100	100
9	425	110	25	50
10	425	140	40	100

Corner Sill



" all measurements in mm"

Type	x	y	z	r
1(A)	200	75	15	45
2(A)	225	140	25	100
3(A)	250	100	50	50
4(A)	270	125	50	60
5(A)	250	140	50	100